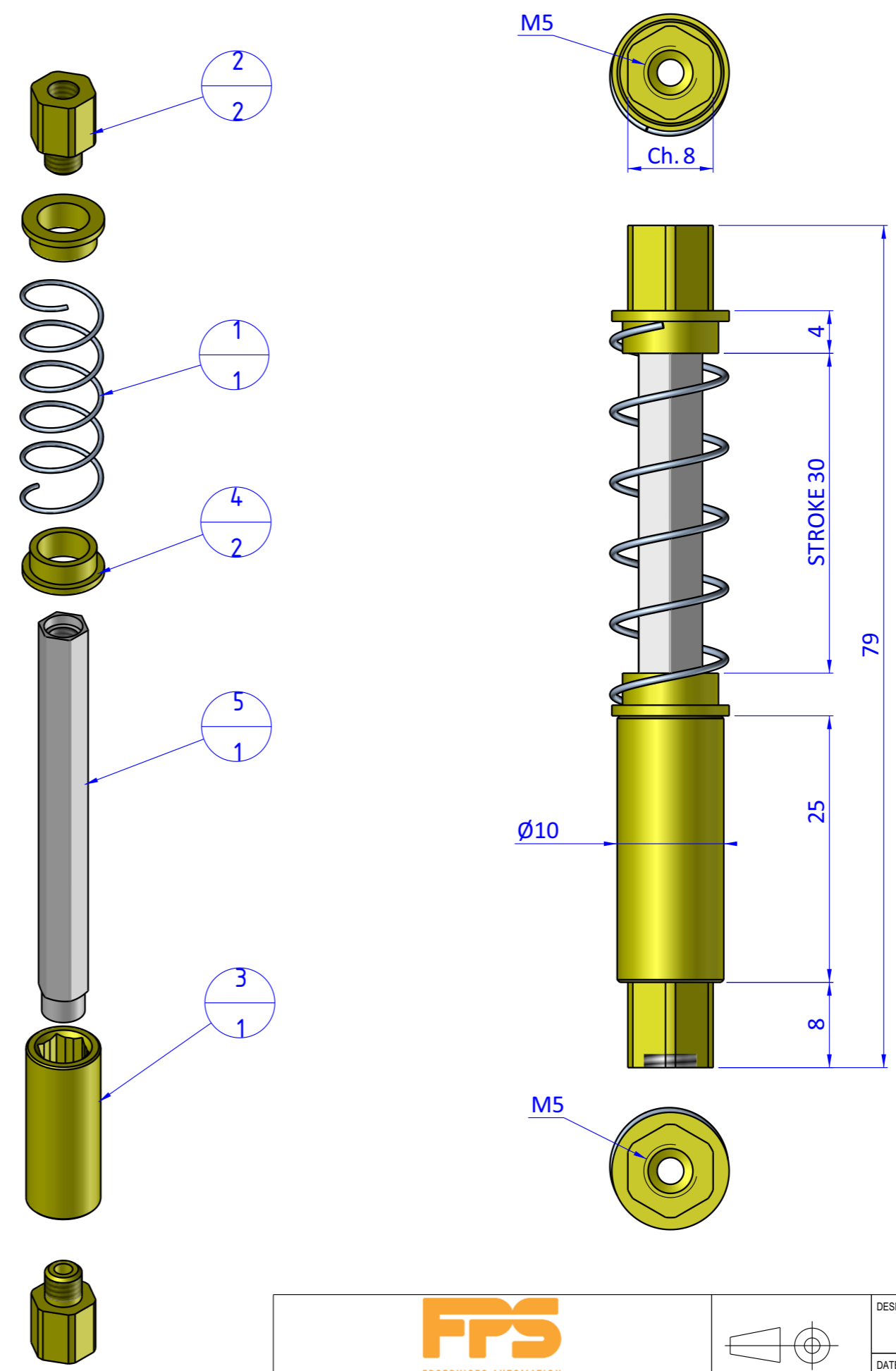



THE PROPERTY OF THE DRAWING IS ESTABLISHED BY LAW. IT IS FORBIDDEN TO PRODUCE OR SHOW IT TO THIRD PART. WITHOUT A WRITTEN AGREEMENT.

Item	Name	Q.ty
1	M.10.5x48B	1
2	SAE.10050510.1	2
3	SAE.10050510.3	1
4	SAE.10050510.4	2
5	SAE.10050530.1	1



Format A3
UNI 936-76

 FPS SERVICES AUTOMATION		DESIGNED FROM FPS Automation		REVIEW A
		DATE 30/06/2022	WEIGHT 0,028kg	
GENERAL TOLERANCE UNI - ISO 2768 CLASSE f	DESCRIPTION CA.SAE.10050530	CODE CA.SAE.10050530		